



SmartVu 3000

3.0 Megapixel True WDR Mini Vandal Dome With IR

Part of Dedicated Micros HD IP video surveillance cameras, the updated SmartVu 2015 range features the mini vandal dome with the outstanding 3.0MP Wide Dynamic Range enabled sensor, varifocal lens and 6m IR distance.

Ideal for designing a cost effective HD solution combined with ease of install when coupled with any NetVu connected product, the SmartVu cameras are perfectly complimented by DM's latest, enhanced SD Advanced DVR/NVR portfolio. When configured with the SD Advanced NVR the SmartVu series contains a powerful suite of enterprise-scale capabilities protected by DM's award winning Closed IPTV.

The WDR technology in the camera provides an ideal platform for viewing entrances and reception areas, where the camera has to view from a dark indoor space looking out into a brightly lit outdoor scene. The SmartVu 3000 dome intelligently balances out the scene to give you clear images in challenging lighting conditions throughout the entire field of view

With its small form factor the mini dome is discreet and stylish with a modern look and feel. The vandal proof housing is IK10 impact rated and IP65 sealed against dust & water ingress.



Features & Benefits

3.0 Megapixel Progressive Scan Sensor

Small Form Factor

MPEG4 / JPEG / H.264 Compression

Closed IPTV

MultiMode – Save Up To 50% On Recording

Power Over Ethernet

Alarm Handling (With SD Advanced DVR/NVR)

6m IR Range

Real WDR

NetVu Connected

IP65 Rated

Up To 10 Streams Generated

Ordering Information

Part Number	Description
DM/SV3000MVR	3.0 Megapixel WDR Mini Vandal Dome With IR

Dedicated Micros Technology Benefits

NetVu Remote Codec

When utilised with a NetVu connected server each camera can work as a remote codec. This is the most efficient means of connection to a DM Closed IPTV server as rather than simply request a stream from the IP camera, and then recode the stream as necessary the remote codec format makes individual requests for streams of frames directly from the codec in the camera.

Using this process the camera becomes an integral extension to the DVR/NVR distributing the processing requirements allowing a greater number of cameras to be connected and managed from one unit as stream communication becomes more efficient, reducing potential bottlenecks.

Ease Of Installation

Dedicated Micros technology removes the need for prior IT networking knowledge facilitating ease of install while ensuring the highest quality IP solution.

The updated SmartVu range offer remote zoom and auto focus meaning convenient focusing of the cameras is possible over the network, eliminating the need for physical fine tuning at each camera.

Port specific auto detect and auto configure cameras using Closed IPTV

A shared user interface helps minimise operator training whilst powerful features such as direct configuration of PTZ cameras and domes from connected DVR/NVRs helps reduce installation time providing benefits to both end user and installer/integrator.

Customisable

PowerScripting enables user customisation of complex, logical, alarm handling routines and integration of data from external sources. Extra value is created for the user through integration with business processes e.g. access control, building management, process control and manpower management. The result is a measurable return on investment tied in with operational process such as retail loss prevention.

Closed IPTV

All DM products are underpinned by the Closed IPTV technology. This encompasses a number of features to ensure security is at the forefront of the solution.

- Trusted Endpoints (a unique secret signature that is shared with the switch and the NVR) ensure any attempt to interfere with the Closed IPTV network will trigger an immediate security alert.
- Removing access to the corporate network via an exposed endpoint (e.g. a camera)
- Restrict Multicast – No one network endpoint can gain access to video from any other cameras or endpoints on the network.
- Firewall settings – Prevents any endpoint from opening a connection to a TCP server on the network

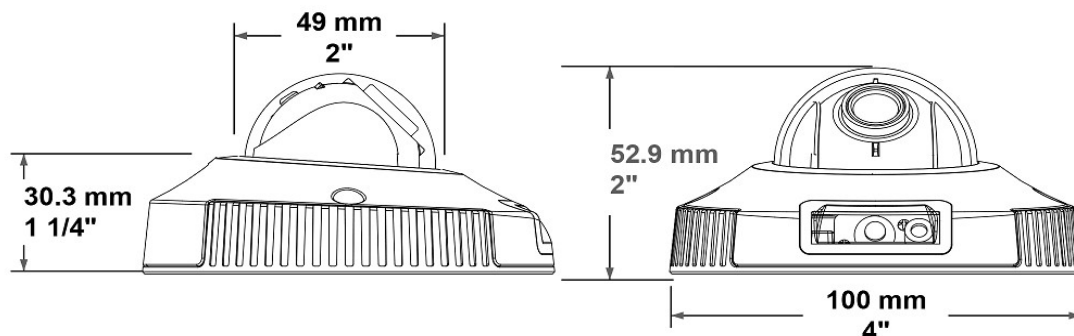
MultiMode Recording And Streaming

Allows an event trigger from VMD, analytics and alarms to affect an instantaneous change in bit rate, frame rate and resolution. Full HD streams are generated when needed, e.g. for identification purposes, otherwise a standard definition stream saves up to 50% of the user's storage capacity.

Real Wide Dynamic Range

WDR technology in the camera is designed for recording in situations where there is strong variations in lighting levels, such as entrances and reception areas. The SmartVu 3000 range intelligently balance out the scene and allows for recording greater scene details. Giving you the ability to capture details of the scene both internally and externally at the same time. Resolving the loss of facial definition of persons, when entering from a bright outside environment or when stood by a window, common to most cameras without WDR.

Technical Drawing



Technical Specification

Camera Specification	
Image Sensor	1/3" HD Progressive Scanning CMOS 3.0MP Sensor
Effective Pixels	2048x1536p – 20fps / 1920x2080 - 60fps
Aspect Ratio	3MP (4:3 Sensor) / 1080p (16:9 Image)
AGC	Auto / Manual
Day/Night control	Auto
Day / Night	True Day / Night with ICR Filter
WDR	Up To 100dB
S/N Ratio	>50dB
Min. Illumination	Color Mode 0.01UX(F1.2); B/W Mode 0.001LUX(F1.2)
Compression	MPEG4, JPEG, H.264 (Up To 10 Different Streaming Profiles)
IR Distance	6m
Interface	One 10M/100M Self-Adaption Ethernet Port, RJ-45
Protocol	TCP/IP, HTTP, ICMP, SMTP, RTP, RTSP, SNMP, ARP, DDNS, DNS, POE, P2P,802, SCTP, NTP
Lens	
Field Of View	77° / 54° / 100.2°
Lens	3.6mm Fixed IR Coated
Image Format	1/3"
Focus	Auto Focus
Stabilisation	DIS: Digital Image Stabilization
General Specifications	
Audio	N/A
Power	12V DC Terminal Input / PoE Class 3 8W
Electronic Shutter	Auto / User 1/5 - 1/50,000 ; 50/60Hz Software Selectable
Gain control	Auto / Fixed 8~102dB
Light Compensation	BLC /HLC
Network Protocols:	HTTP, TCP/IP, UDP/IP, RTSP, FTP, PoE, NTP. Unicast And Multicast Supported.
Operating Temperature	Operating: -20°C To 60°C / Storage: -20°C To 60°C
Operating Humidity	0~90%RH (Non-Condensing)
Approvals	CE / FCC / RoHS Compliant / IP65
Product Dimensions	100x53mm
Warranty	1 year plus additional free 1 year when product registered



V. MKT-SVU-3MP-MVD001E © Copyright AD Group

Design and specifications are subject to change without notice E&O.E